



6-AXIS GENERAL PURPOSE ROBOT

ACT100A-2700

Special long-stroke design.
Suitable for pick-n-place, palletizing, material removal, etc.

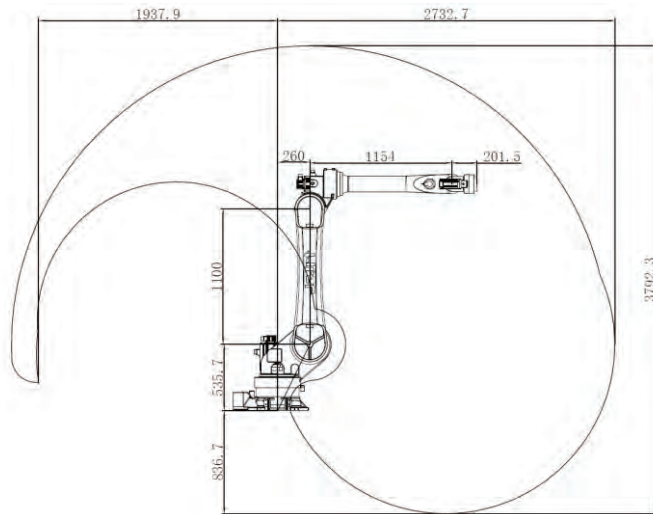
Robot specifications

Basic data	
Model No.	ACT100A-2700
Number of axes	6
Maximum payload	100 kg
Maximum stroke	1700mm
IP class	J1, J2 - IP56; J3, J4, J5, J6- IP67
Mounting position	Floor type
Approx. weight	615 kg (without cabinet)
Repeatability	±0.15 mm
Internal air duct	Φ10
Motion range	
J1 axis S	±165°
J2 axis L	+80°~-90°
J3 axis U	+105°~-75°
J4 axis R	±180°
J5 axis B	+98°~-90°
J6 axis T	±360°
Speed with rated payload	
J1 axis S	127°/s
J2 axis L	70°/s
J3 axis U	74.5°/s
J4 axis R	137°/s
J5 axis B	99°/s
J6 axis T	222°/s

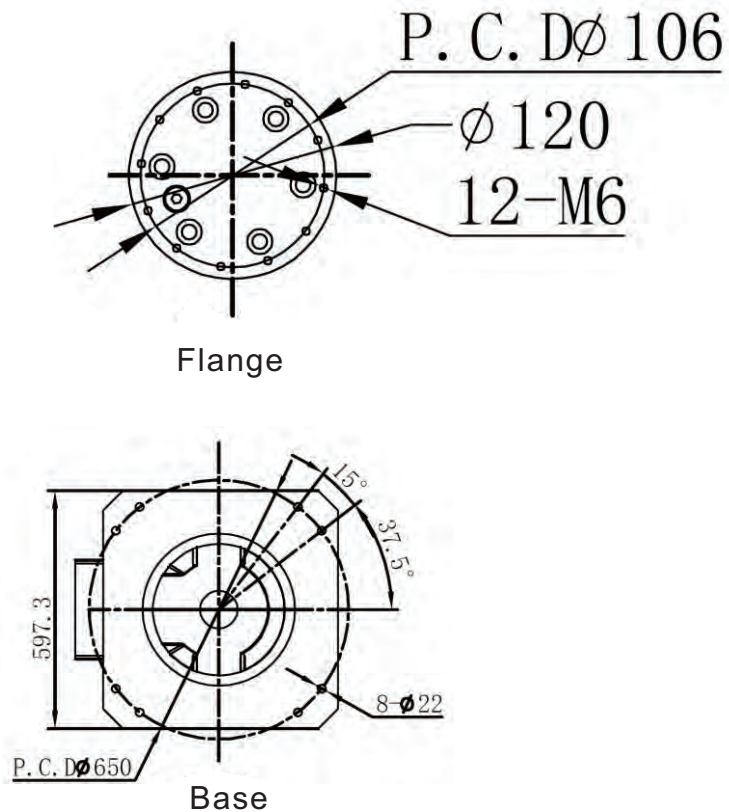
Electrical cabinet specifications	
Dimensions	560*500*730mm
Approx. weight	80KG
Cooling method	Natural cooling
Input power	380VAC 50/60Hz
Grounding	Industrial grounding (grounding resistance below 100Ω)
I/O terminals	·16 digital inputs ·16 digital outputs ·2 analog outputs (optional)
Position control mode	EtherCAT, TCP/IP
Serial port I/F	RS485*1, RS422*1, RS232*1, CAN*1, USB*1
RAM capacity	JOB 200,000 steps, 10,000 robot commands (200MB)
Driving unit	6-axis AC servo system. External axis can be added as an option.

Operating conditions	
Use temperature	0~45°C
Storage temperature	-20~60°C
Humidity	10~90% RH, no condensing
Vibrations	Below 0.5G
Altitude	Below 1000m. (Degrade if over 1000m, max 2000m)
Other requirements	·With no corrosive or combustible gas ·With no water, oil or drug splashing ·With no electromagnetic field nearby ·With no radiations nearby

► Working envelope (unit: mm)



► Flange and base dimensions (unit: mm)



All data, drawings and specifications provided in this catalog are purely for information purposes and do not constitute a guarantee of these characteristics. The extent of goods delivered and services performed is determined by the subject matter of the specific contract. No liability accepted for errors or omissions.